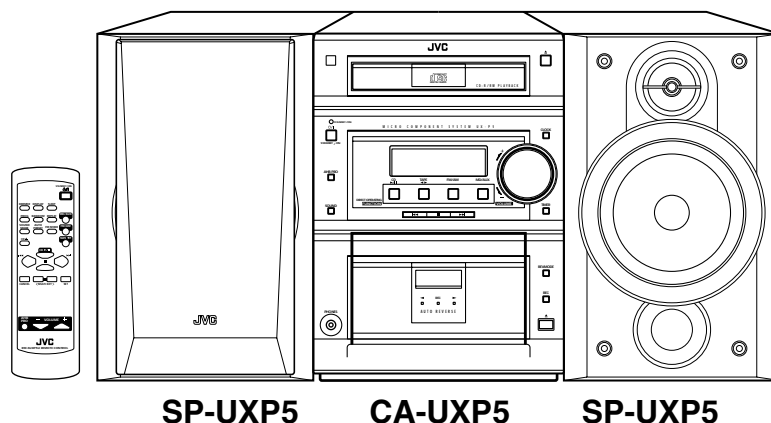


JVC

SERVICE MANUAL

MICRO COMPONENT

UX-P5


Area Suffix

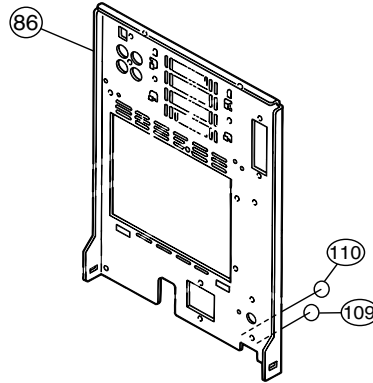
UF China

COMPACT
disc
 DIGITAL AUDIO

This service manual is described only a different of parts list.
 For such serviceing items as Instractions,disassembly method,
 adjustment method,description of major ICs,block diagram,
 standard schematic diagrams,printed circuit borad and parts list,
 Sevice manual UX-P5 USUW (Issud No.21000).

Contents

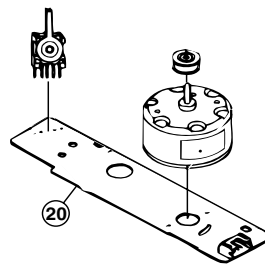
- 1.Top cover
- 2.Parts list(General assembly)
 (CD loading base)
- 3.Electrical parts list (Main bord)
 (Front board)
- 4.Electrical parts list (Tuner Board)
 Parts list (Packing)
 Parts list (Accessories)
- 5.Back cover



■Parts list (General assembly)

P3-4 Block No. M1MM

▲	Item	Parts name	Parts number		Q'ty
			UP version	UF version	
	30	EJECT SAFTY(R)	VKL7850-002	VKL7850-202	1
	45	TRAY	VYH1240-001	VYH1240-201	1
	47	SHIELD CASE	VMA4619-002	GV40226-002A	1
▲	66	POWER CORD	QMPR310-200-JC	QMPS020-183-JC	1
	71	FFC WIRE	QUQ412-0914CJ	QUQB12-0914AJ	1
	72	FFC WIRE	QUQ412-1018CJ	QUQB12-1018AJ	1
	73	FFC WIRE	QUQ412-1314DJ	QUQB12-1314BJ	1
	74	FFC WIRE	QUQ412-1614DJ	QUQB12-1614BJ	1
	75	FFC WIRE	QUQ412-0507DJ	QUQB12-0507BJ	1
	76	FFC WIRE	QUQ110-1509AJ	QUQ810-1509AJ	1
	77	FFC WIRE	QUQ412-1710DJ	QUQB12-1710BJ	1
	78	FFC WIRE	QUQ412-0932DJ	QUQB12-0932BJ	1
	79	FFC WIRE	QUQ412-0426CJ	QUQB12-0426AJ	1
	104	RATING LABEL	GV30172-013A	GV30172-012A	1
	109	CCEE LABEL	-----	E409372-001	1
	110	CCIB LABEL	-----	LV41768-001A	1



■Parts list (CD loading base)

P3-9 Block No. M3MM

▲	Item	Parts name	Parts number		Q'ty
			UP version	UF version	
	16	E.BASE ASS'Y	E307179-332	E307179-222SM	1
	20	PW BNOARD(1/5)	-----	VMW1329-102	1

■Electrical parts list (Main board)

P3-11 Block No. 01

⚠	Item	Parts name	Parts number	
			UP version	UF version
	C2007	E CAPACITOR	QTE1V06-106Z	QETN1HM-106Z
	C2107	E CAPACITOR	QTE1V06-106Z	QETN1HM-106Z
	C2212	E CAPACITOR	EETC1HM-105ZJC	QETC1HM-105Z-JB
	C2213	E CAPACITOR	EETC1CM-106ZJC	QETC1CM-106Z-JB
	C2221	E CAPACITOR	EETC1AM-107ZJC	QETC1AM-107Z-JB
	C2227	E CAPACITOR	EETC1CM-107ZJC	QETC1CM-107Z-JB
	C2228	E CAPACITOR	EETC1HM-475ZJC	QETC1HM-475Z-JB
	C2236	E CAPACITOR	EETC1CM-476ZJC	QETC1CM-476Z-JB
	C3201	E CAPACITOR	EETC1CM-107ZJC	QETC1CM-107Z-JB
	C3203	E CAPACITOR	EETC1CM-107ZJC	QETC1CM-107Z-JB
	C3205	E CAPACITOR	EETC1CM-107ZJC	QETC1CM-107Z-JB
	C3500	E CAPACITOR	EETC1CM-106ZJC	QETC1CM-106Z-JB
	C3501	E CAPACITOR	EETC1CM-107ZJC	-----
	C3502	E CAPACITOR	EETC1EM-476ZJC	QETC1EM-476Z-JB
	C7009	E CAPACITOR	EETC1HM-225ZJC	QETC1HM-225Z-JB
	C7010	E CAPACITOR	EETC1HM-475ZJC	QETC1HM-475Z-JB
	C7011	E CAPACITOR	EETC1CM-107ZJC	QETC1CM-107Z-JB
	D2207	SI DIODE	1SS133-T2	-----
	D3500	Z DIODE	MTZJ3.0B-T2	-----
	D3501	SI DIODE	1SS133-T2	-----
	Q3502	TRANSISTOR	2SC2412K/R/-X	-----
	Q3503	TRANSISTOR	DTC144EKA-X	-----
	R3501	C RESISTOR	QRE141J-103Y	-----
	R3502	C RESISTOR	QRE141J-391Y	-----
	R3506	C RESISTOR	QRE141J-102Y	-----

■Electrical parts list (Front board)

P3-14 Block No. 02

⚠	Item	Parts name	Parts number	
			UP version	UF version
	C4028	E CAPACITOR	EETC1EM-226ZJC	QETC1EM-226Z-JB
	C4036	E CAPACITOR	EETC1HM-106ZJC	QETC1HM-106Z-JB

■Electrical parts list (Tuner board)
P3-18 **Block No. 04**

△	Item	Parts name	Parts number	
			UP version	UF version
	C 3	E CAPACITOR	EETC1CM-106ZJC	QETC1CM-106Z-JB
	C 14	E CAPACITOR	EEKC1AM-107ZJC	QEK1AM-107Z
	C 25	E CAPACITOR	EEKC1AM-107ZJC	QEK1AM-107Z
	C 30	E CAPACITOR	EEKC1CM-107ZJC	QETC1CM-107Z-JB
	C 31	E CAPACITOR	EETC1CM-226ZJC	QEK1CM-226Z
	C 36	E CAPACITOR	EEKC1HM-105ZJC	QETC1HM-105Z-JB
	C 37	E CAPACITOR	EEKC1HM-105ZJC	QETC1HM-105Z-JB
	C 38	E CAPACITOR	EETC1HM-224ZJC	QETC1HM-224Z-JB
	C 39	E CAPACITOR	EETC1HM-105ZJC	QETC1HM-105Z-JB
	C 47	E CAPACITOR	EETC1HM-105ZJC	QETC1HM-105Z-JB
	C 50	E CAPACITOR	EETC1CM-226ZJC	QEK1CM-226Z
	C 51	E CAPACITOR	EEKC1HM-105ZJC	QEK1HM-105Z
	C 53	E CAPACITOR	EETC1CM-226ZJC	QETC1CM-226Z-JB
	CF 1	C FILTER	QAX0677-001Z	VCF2L3B-105Z
	CF 2	C FILTER	QAX0677-001Z	VCF2L3B-105Z
	R 39	MG RESISTOR	NRSA02J-623X	NRSA02J-563X
	R 40	MG RESISTOR	NRSA02J-103X	NRSA02J-243X

■Parts list (Packing)
P3-23 **Block No. M5MM**

△	Item	Parts name	Parts number		Q'ty
			UP version	UF version	
	P 2	CARTON ASSY	GV20112-001A	GV20112-004A	1
	P 3	CUSHION UPPER	GV10070-001A	GV10070-201A	1
	P 4	CUSHION BOTTOM	GV10075-001A	GV10075-201A	1

■Parts list (Accessories)
P3-23 **Block No. M6MM**

△	Item	Parts name	Parts number		Q'ty
			UP version	UF version	
	A 3	INST BOOK (LANGUAGE)	GVT0053-004A (KOR)	GVT0053-011A (CHI)	1
	A 9	WARRANTY CARD	BT-56010-1	BT-59007-2	1
	A 12	S.CENTER LIST	-----	BT-59009-1	1



VICTOR COMPANY OF JAPAN, LIMITED
PERSONAL & MOBILE NETWORK BUSINESS UNIT. 10-1,1chome,Ohwatari-machi,Maebashi-city,371-8543,Japan